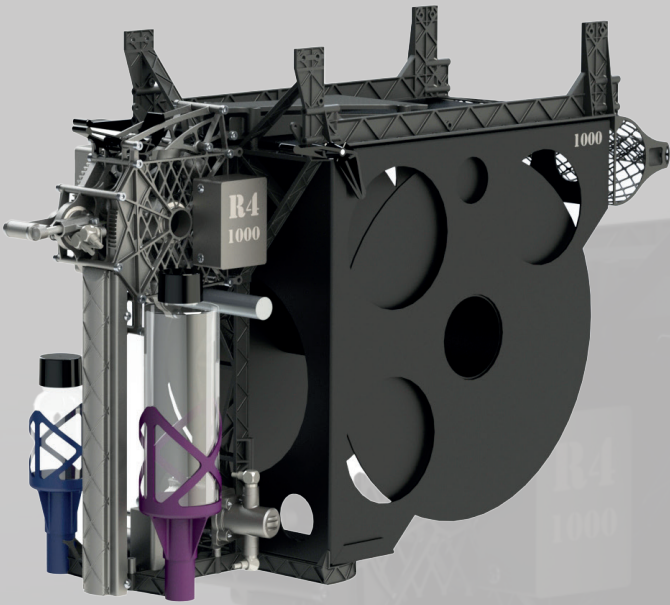


## R4 Features

- 250/500/1000/2000 capsule options within 25kg UAS weight limit
- Single point attach option for R4/250 and R4/500
- Multiple drop rates up to 150/min
- Reliable belt feed system
- Quick change bottle replacement for fluid replenishment
- Quick change incendiary boxes
- Low pre and post flight maintenance requirement
- Purple catalyst adds burn performance with guaranteed ignition delay time
- Automatic infra-red water extinguisher system
- Auto loader for second box on R4/2000
- Low frontal area
  - Patented streamlined aero pod options available for R4/1000 and R4/2000 (small weight penalty)
  - Fuselage or under wing hard point mounting options

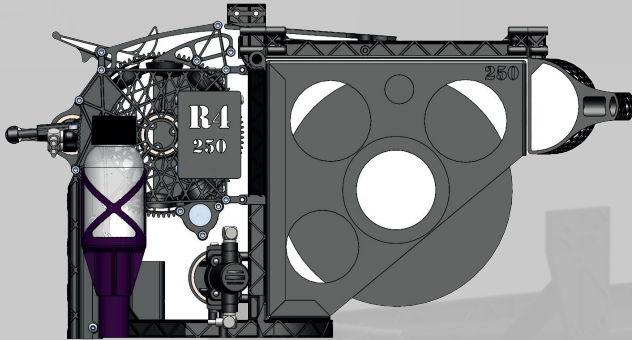


Reliability. Safety. Performance.

**Raindance** Systems

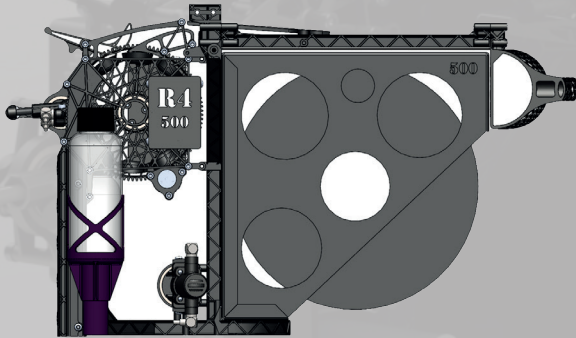
Incendiary technology for the future

Raindance Systems has developed a complete range of Aerial Incendiary Machine options. Designed with flexibility for a range of payload capabilities, that can be integrated with your drone from small to beyond line-of-sight incendiary operations.



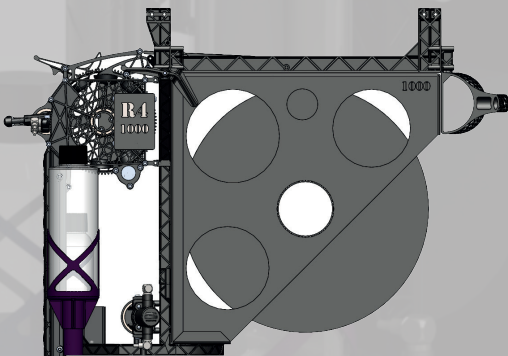
### R4/250

All Up Weight	1.67kg/3.7lb
Empty Flight Weight	1.04kg/2.3lb
Incendiary Capsules	250
Max Drop Rate	120/min



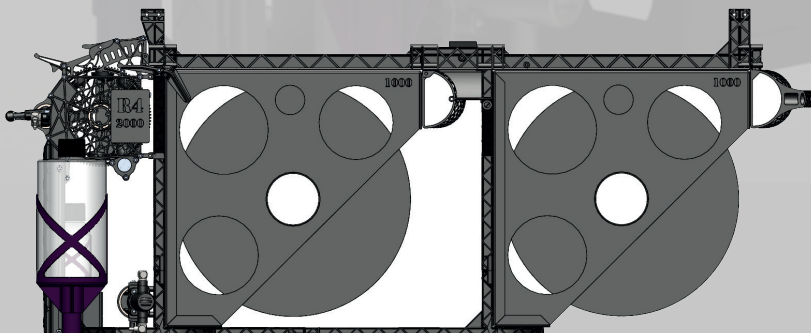
### R4/500

All Up Weight	2.31kg/5.0lb
Empty Flight Weight	1.08kg/2.38lb
Incendiary Capsules	500
Max Drop Rate	120/min



### R4/1000

All Up Weight	3.63kg/8.0lb
Empty Flight Weight	1.2kg/2.64lb
Incendiary Capsules	1000
Max Drop Rate	150/min



### R4/2000

All Up Weight	6.62kg/14.6lb
Empty Flight Weight	1.8kg/4.0lb
Incendiary Capsules	2000
Max Drop Rate	150/min