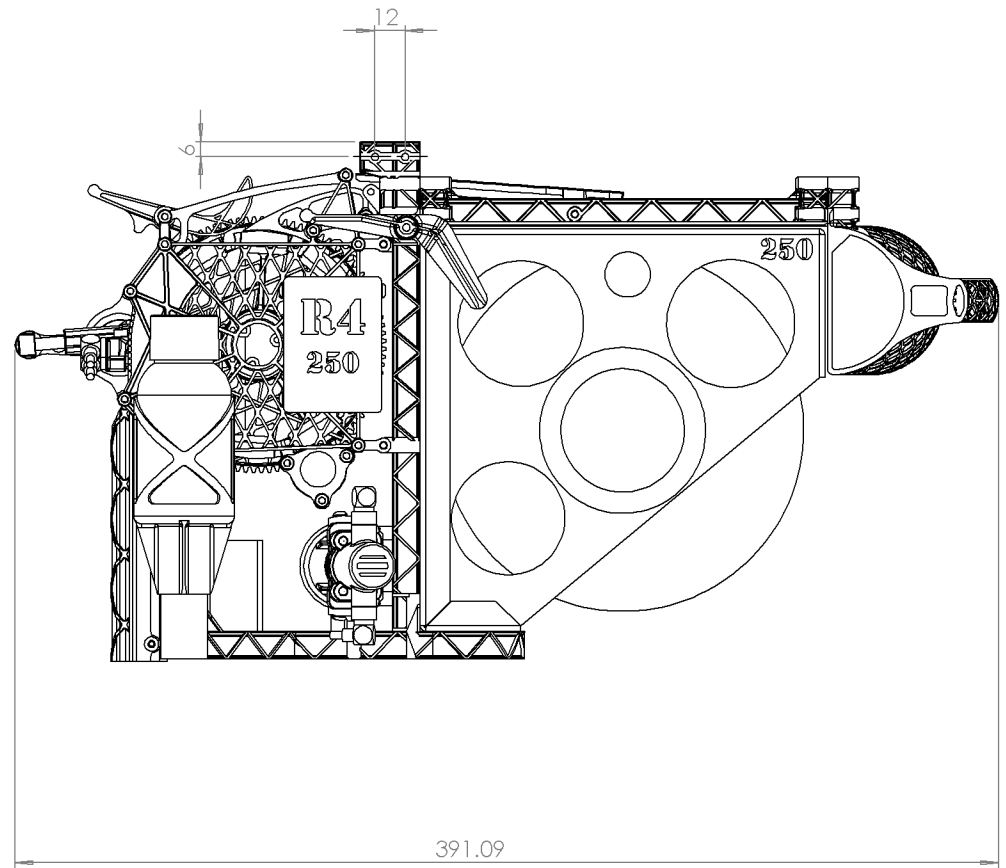
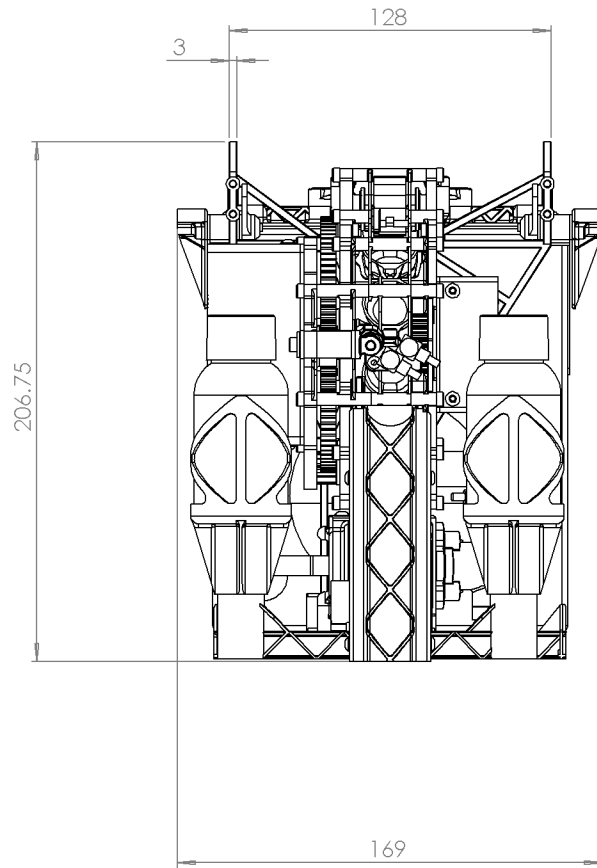
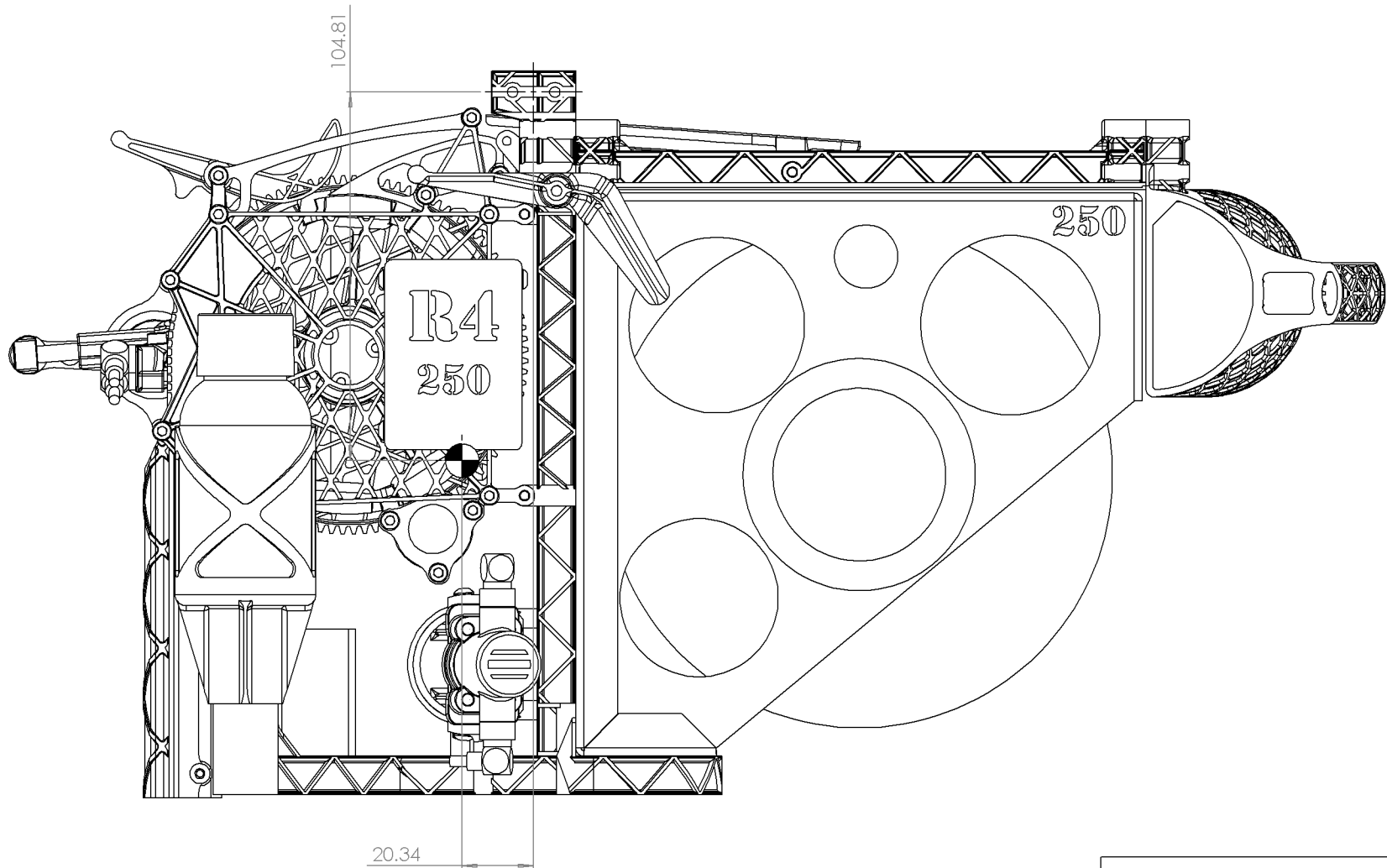


**R4/250**



# R4/250

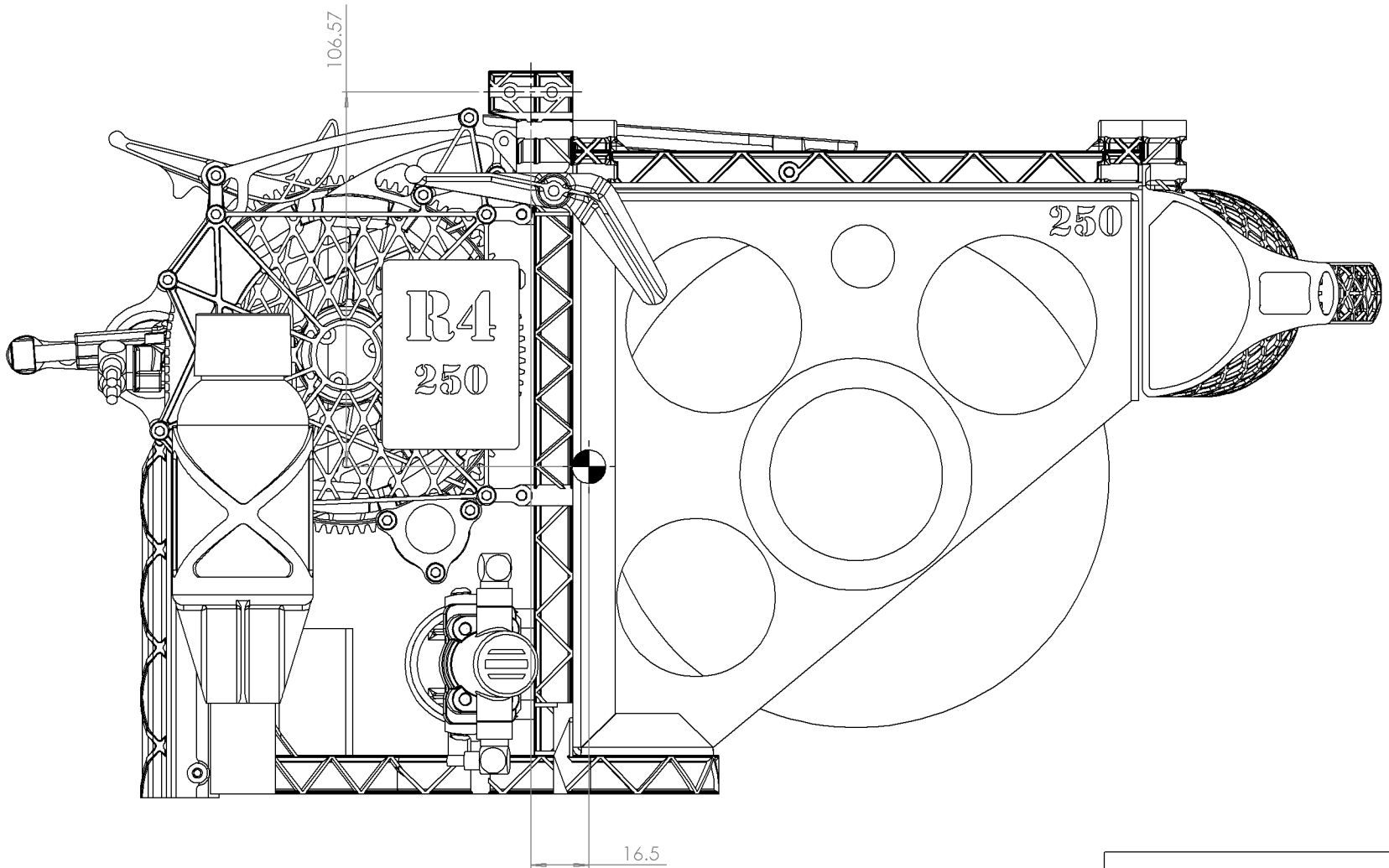
Empty weight: 1.04kg



Centre of gravity

**R4/250**

Full weight: 1.67kg



Centre of gravity